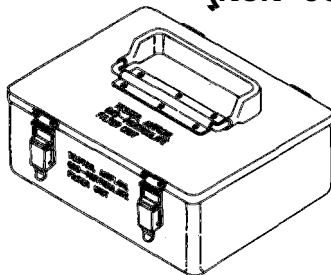


TM 3-6680-316-10

OPERATOR'S MANUAL
TESTER, AIRFLOW, GAS-PARTICULATE
FILTER UNIT: M39
(NSN 6680-00-436-4212)



HEADQUARTERS,
DEPARTMENT OF THE ARMY
15 November 1983

WARNING

Hold spring clip firmly when removing it. Spring clip can snap off air purifier or pre-cleaned and injure you.

Be careful not to let air purifier or pre-cleaned fall from mounting bracket You could injure yourself or damage equipment

For First Aid, refer to FM 21-11.

*TM 3-6680-316-10

TECHNICAL MANUAL

NO. 3-6680-316-10

HEADQUARTERS
DEPARTMENT OF THE ARMY
Washington, DC, 15 November 1983

OPERATOR'S MANUAL
TESTER, AIR FLOW, GAS-PARTICULATE
FILTER UNIT: M39
(NSN 668000436-4212)

REPORTING OF ERRORS

You can help improve this manual. If you find any mistakes or if you know of a way to improve the procedures, please let us know. Mail your letter or DA Form 2028(Recommended Changes to Publications and Blank Forms) direct to: Commander, US Army Armament Materiel Readiness Command, ATTN: DRSAR-MAS-C, Aberdeen Proving Ground, MD 21010. A reply will be furnished to you.

* This manual supersedes so much of TM 3-4240-201-13, 15 November 1972, and TM 9-2350-256-341, 28 January 1977, as pertains to the M39 Gas-Particulate Filter Unit Airflow Tester.

TABLE OF CONTENTS

		Page
CHAPTER	1. INTRODUCTION	
Section	I. General Information	1-1
	II. Equipment Description	1-4
CHAPTER	2. OPERATING INSTRUCTIONS	
Section	I. Description and Use of Operator's Controls and indicators	2-0
	II. Operation Under Usual Conditions	2-2
APPENDIX	A. References	A-0

CHAPTER 1 INTRODUCTION

Section I. GENERAL INFORMATION

1-1. Scope

a. *Type of Manual:* Operator's.

b. *Model Number and Equipment Name:*
Tester, Airflow, Gas-Particulate Filter Unit: M39

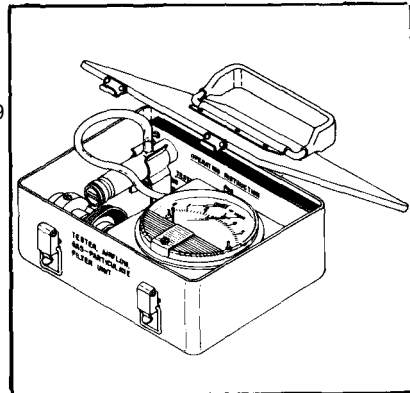
c. *Purpose of Equipment:*

(1) To measure airflow at each chemical and biological protective mask station in installations and vehicles using these gas-particulate filter units:

- M7A1 ● M13 series
- M8 series ● M14

(2) To bench test for airflow:

- M2A1 and M2A2 air Purifiers
- M1A1-19 precleaned and particulate filter assembly.



1-2. Maintenance Forms and Records.

Department of the Army forms and procedures used for equipment maintenance will be those prescribed by TM 38-750, The Army Maintenance Management System (TAMMS).

1-3. Reporting Equipment Improvement Recommendations (EIR's).

If your tester needs improvement, let us know. Send us an EIR. You, the user, are the only one who can tell us what you don't like about your equipment. Let us know why you don't like the design or performance. Tell us why a procedure is hard to perform. Put it on an SF 368 (Quality Deficiency Report). Mail it to us at: Commander, US Army Armament Materiel Readiness Command, ATTN: DR SAR-MAY-MA, Aberdeen Proving Ground, MD 21010. We'll send you a reply.

1-4. Nomenclature Cross-Reference List

<i>Common Name</i>	<i>Official Nomenclature</i>
Adapter	Adapter connector
Orifice assembly	Calibrated orifice assembly
Precleaned.	Precleaned and Particulate Filter Assembly, M1A1-19
Pressure gage.	Gage, Differential, Dial Indicating
Tester	Tester, Airflow, Gas-Particulate Filter Unit: M39

1-5. List of Abbreviations.

<i>Abbreviation</i>	<i>Explanation</i>
cfm	cubic feet per minute
GPFU	gas-particulate filter unit

Section II. EQUIPMENT DESCRIPTION

1-6. Equipment Purpose, Capabilities, and Features.

a. *Purpose.* To check airflow of M7A1, M8 series, M13 series, and M14 GPFUs. To check airflow of M2A1 and M2A2 air purifiers and M1A1-19 precleaned.

b. *Capabilities and Features.* A one-man portable unit mounted in a carrying case. Measures air pressure within the range of 0 to 6 in. of water (0 to 5 cfm airflow).

1-7. Equipment Data

Weights and Dimensions

Weight	approx 3.5 lb
Height	approx 3 in.
Width	approx 9 in.
Length	approx 7 in.

Performance

Measurement capability	0 to 6 in. of water
Gage graduation	0.2 in. increments
Maximum pressure	15 psi
Maximum operating temperature	140°F (60°C)

CHAPTER 2
OPERATING INSTRUCTIONS

Section I. DESCRIPTION AND USE OF OPERATOR'S
CONTROLS AND INDICATORS

2-1. Controls and Indicators.

● **Pressure Gage.** Indicates amount of air pressure being supplied by each GPFU. Is graduated in 0.2 in. increments from 0 to 6 in. of water. Airflow values are found by converting pressure readings (in. of water) to cfm.

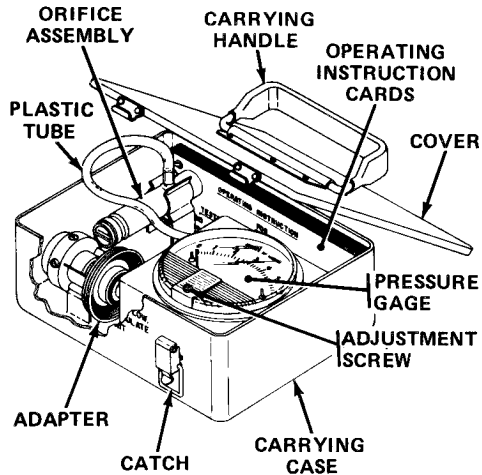
● **Adjustment Screw.** Used to zero pressure gage.

● **Plastic Tube.** Connects orifice assembly to pressure gage.

● **Orifice Assembly.** Connects tester to GPFU. Controls flow of air to gage.

● **Adapter.** Permits connection of orifice assembly to M7A1 and M14 GPFU headpieces.

● **Operating Instruction Cards.** Give operating instructions for using M39 tester.



Section II. OPERATION UNDER USUAL CONDITIONS

2-2. General.

The procedures in this manual are more detailed than those provided on the operating instruction cards. If you have both the instruction cards and the technical manual, use the technical manual to run the M39 airflow tests.

2-3. Preoperational Checks and Adjustment.

Do the checks and adjustment below before using the tester. If you find damaged or missing parts, or if you cannot zero the pressure gage, turn in the tester for a new one.

a. Airflow Tester.

NOTE

Calibration label should be located on cover (3).

● Make sure that CALBR VOID date has not passed. If CALBR VOID date has passed or calibration label is missing turn tester in for calibration.

US ARMY CALIBRATED INSTRUMENT (TM 36-750)	
1. DATE CALBR	2. CALBR BY
3. CALBR VOID	4. NAME/REPORT NO.
5. IDENTIFICATION NO.	6. OWNER
DA LABEL NO. 1 DEC 77	REPLACES EDITION OF 1 JAN 76 WHICH IS OBSOLETE

2-3. Preoperational Checks and Adjustment. (cont)

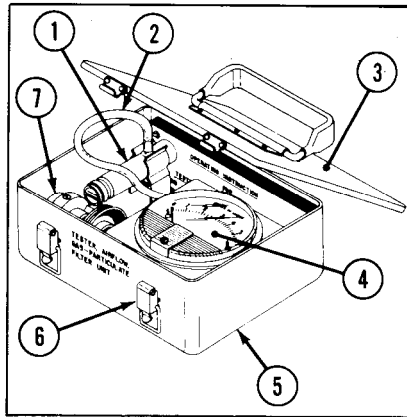
a. Airflow Tester (cont)

- Release four catches (6) and remove cover (3) from carrying case (5). Lay cover aside.

- Make sure that adapter (7), orifice assembly (1), plastic tube (2), and pressure gage (4) are present.

- Make sure that plastic tube (2) is connected to orifice assembly (1) and pressure gage (4). If disconnected, attach tube to orifice assembly or pressure gage.

- Inspect plastic tube (2) for splits and cracks.

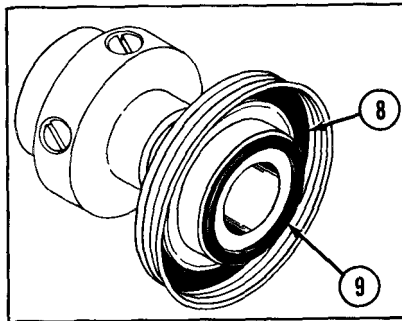


b. Adapter.

NOTE

Adapter design may vary.

- Make sure that gasket (8) and preformed packing (9) are present and not split or cracked.



2-3. Preoperational Checks and Adjustment. (cont)

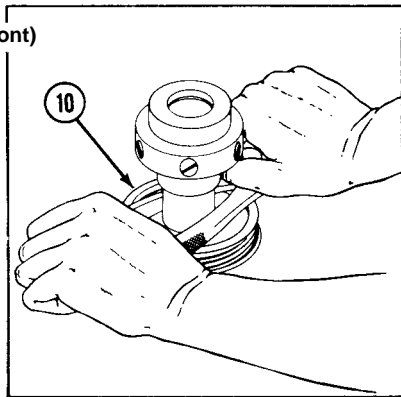
b. Adapter (cont)

NOTE

When checking out M17A1 or M14 series GPFUs, you may find that adapter will not thread onto air hose inlet adapter.

● If adapter will not thread onto air hose inlet adapter, bend cap (10) slightly as follows:

- (1) Set adapter on a flat surface with preformed packing facing down.
- (2) Place pliers or similar tool across top of threaded cap.
- (3) Press down firmly on pliers.
- (4) Repeat steps (1) thru (3) as needed until adapter will thread onto air hose inlet adapter.

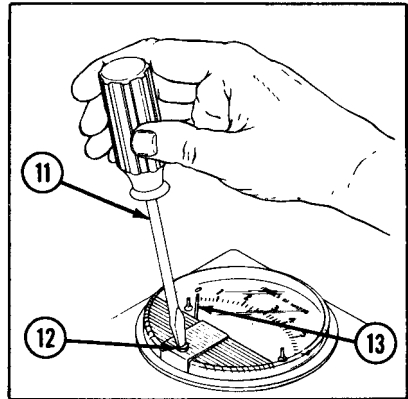


c. Pressure Gage.

NOTE

Have tester lying flat when zeroing pressure gage.

Using a screw driver (11), turn adjustment screw (12) until pointer (13) is in line with zero line.



2-4. Airflow Test Procedures.

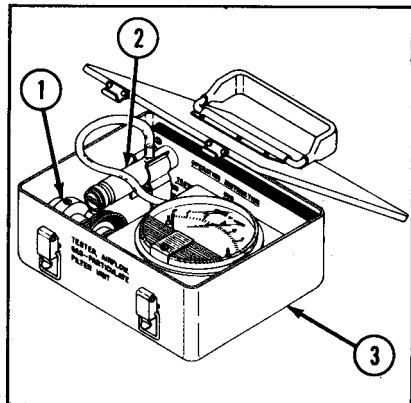
Proceed to the following paragraphs for the GPFU (s) to be tested:

M7A1 GPFU Airflow Test	Para 2-5
M8 Series GPFU Airflow Test.....	Para 2-6
M13 Series GPFU Airflow Test	Para 2-7
M14 GPFU Airflow Test	Para 2-8
M2A1, M2A2 Air Purifier and M1A1-19 Precleaned Airflow Bench Tests..	Para 2-9

2-5. M7A1 GPFU Airflow Test.

a. Perform preoperational checks and adjustment, para 2-3.

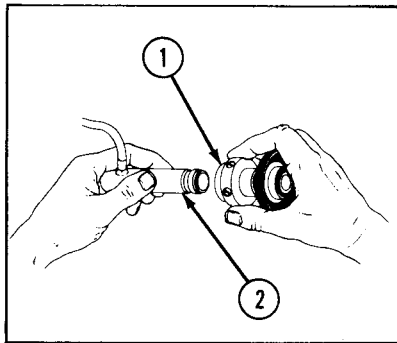
b. Remove adapter 1 and orifice assembly (2) from carrying case 3.



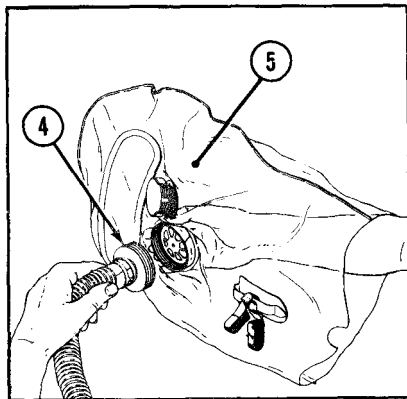
TM 3-6680-316-10

2-5. M7A1 GPFU Airflow Test. (cont)

c. Insert grooved end of orifice assembly (2) into quick-disconnect end of adapter (1).



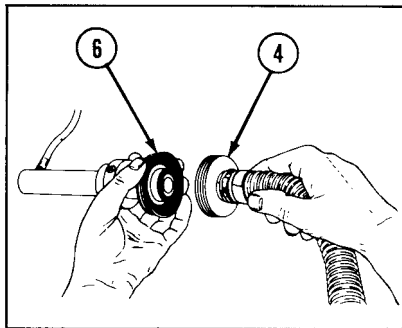
d. Unscrew hose inlet adapter (4) from a headpiece (5).



TM 3-6680-316-10

2-5. M7A1 GPFU Airflow Test. (cont)

e. Screw cap (6) onto hose inlet adapter (4).
Hand tighten.



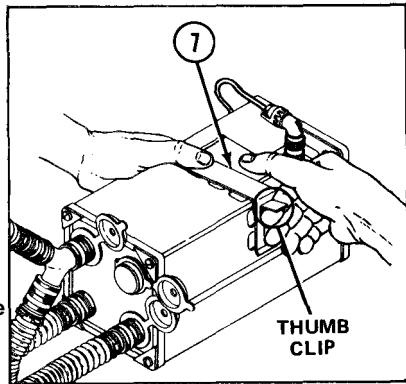
WARNING

Hold spring clip (7) firmly when removing it. Spring clip can snap off air purifier and injure you.

NOTE

Use thumb dip, if present, to lift spring clip (7) from air purifier.

f. Hold down one side of spring clip (7) while carefully lifting other side.



TM 3-6680-316-10

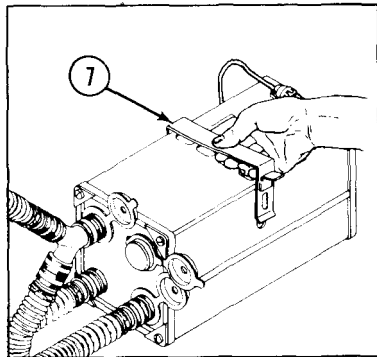
2-5. M7A1 GPFU Airflow Test.(cont)

g. Remove spring clip (7).

NOTE

Not all air purifiers have adjustable airflow regulators.

h. Look in right center slot (10) of air purifier for an airflow regulator. If you see an airflow regulator, go to step i. If there is no airflow regulator, go to step k.

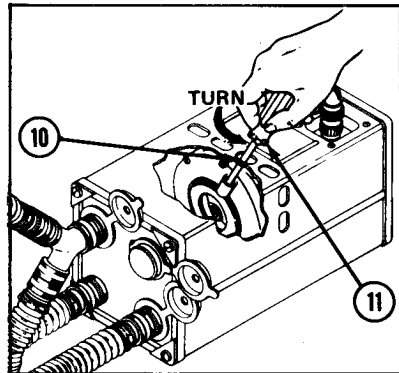


i. Insert narrow, flat-tip screwdriver (11) through slot (10) and into adjustment mechanism.

j. To fully open airflow regulator, turn screwdriver counterclockwise until you feel resistance or hear clicks.

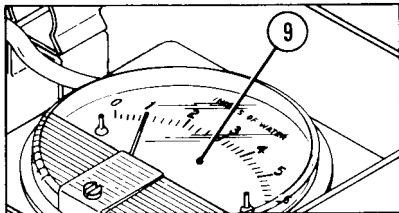
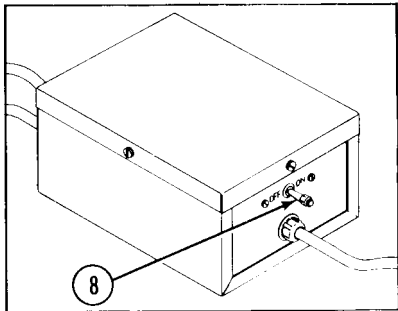
NOTE

if you don't feel resistance or hear clicks after two full turns, airflow regulator is bad. Notify maintenance personnel after test



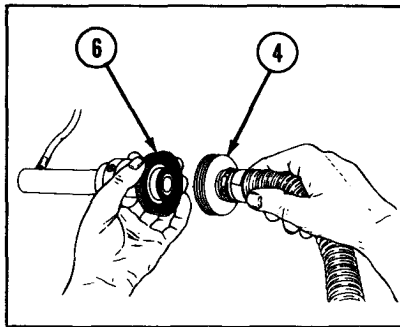
2-5. M7A1 GPFU Airflow Test. (cont)

k. Turn M7A1 GPFU transformer unit OFF/ON switch (8) to ON.



l. Read pressure gage (9). Reading must be at least 0.7 in. of water (1.75 cfm). If pressure is less, note reading.

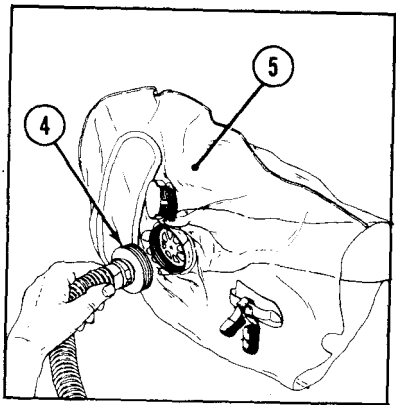
m. Unscrew cap (6) from hose inlet adapter (4).



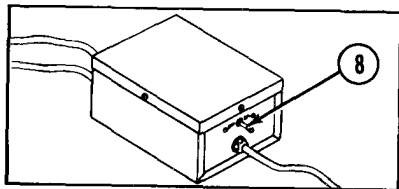
2-5. M7A1 GPFU Airflow Test. (cont)

n. Reconnect hose inlet adapter (4) to head-piece (5).

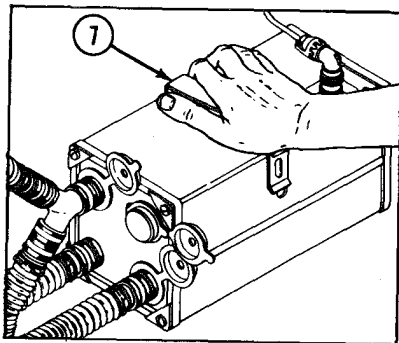
o. Repeat steps *d*, *e*, *l*, *m*, and *n* for remaining untested hoses.



p. Turn transformer OFF/ON switch (8) to OFF.



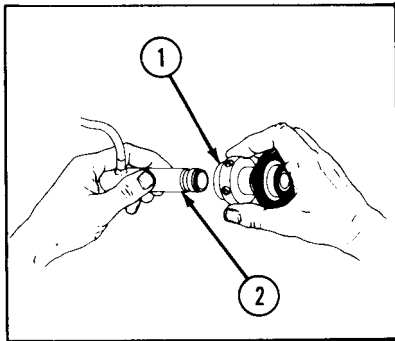
q. Spread spring clip (7) over slots on air purifier and press down.



TM 3-6680-316-10

2-5. M7A1 GPFU Airflow Test. (cont)

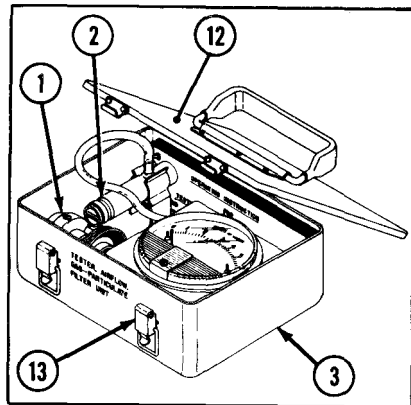
Disconnect orifice assembly (2) from adapter (1).



s. Replace adapter (1) and orifice assembly (2) carrying case (3).

t. Replace cover (12) and fasten four catches (13).

u. If any readings you took were below 0.7 in. of water, notify maintenance personnel of a bad GPFU.

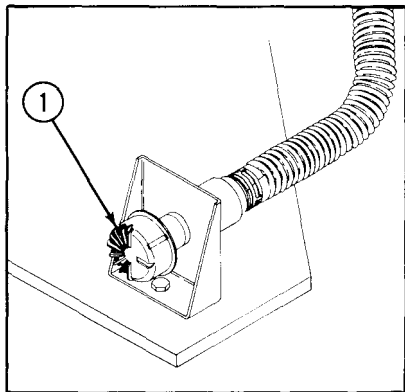


2-6. M8 Series GPFU Airflow Test

NOTES

Refer to vehicle operator's manual for location of crew stations, switches, and GPFU.

●
Use M13 series test procedures for GPFUs equipped with orifice connectors (1). Refer to para 2-7.



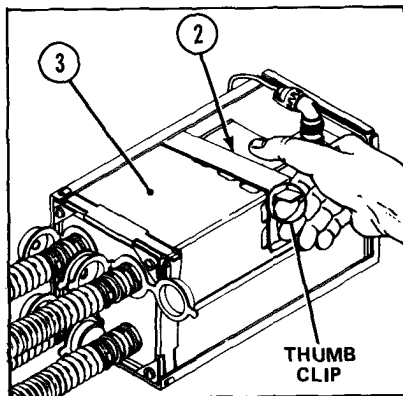
a. Perform preoperational checks and adjustment, para 2-3.

NOTE

Use thumb clip, if present, to lift spring clip (2) from air purifier (3).

b. Lift spring clip (2).

c. Turn vehicle MASTER switch and GAS-PARTICULATE switch ON.



2-6. M8 Series GPFU Airflow Test. (cont)

NOTES

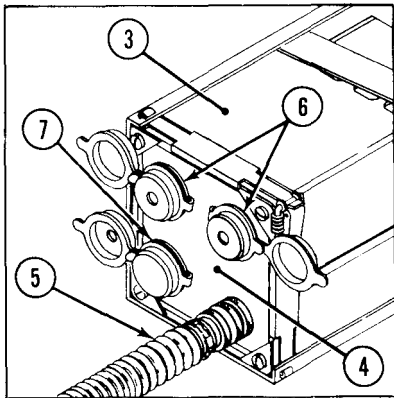
Air purifier (3) will have a three- or four-socket manifold assembly (4).

Hoses have quick-disconnect couplings. Pull collar straight back to disconnect.

d. Disconnect hoses from air purifier (3). Leave one hose (5) attached.

e. Cover two sockets with airflow control caps (6) having center hole.

f. Cover fourth socket, if present, with a solid airflow control cap (7).



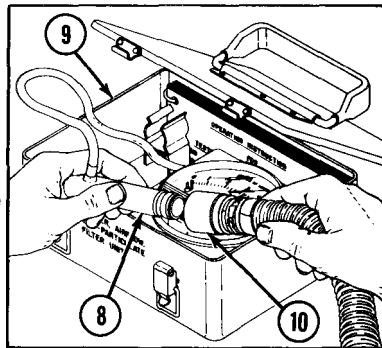
g. Remove orifice assembly (8) from carrying case (9).

NOTE

Test will be made at crew members' stations.

h. Remove quick-disconnect coupling (10) of hose connected to air purifier from mounting clamp.

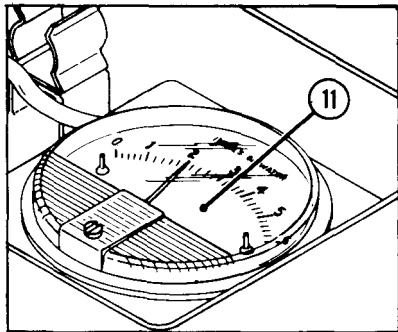
i. Insert grooved end of orifice assembly (8) into quick-disconnect coupling (10).



TM 3-6680-316-10

2-6. M8 Series GPFU Airflow Test. (cont)

j. Read pressure gage (1 1). Reading must be at least 2.0 in. of water (3.0 cfm). If pressure is met, go to step *r*. If pressure is less, note reading and go to step *k*.

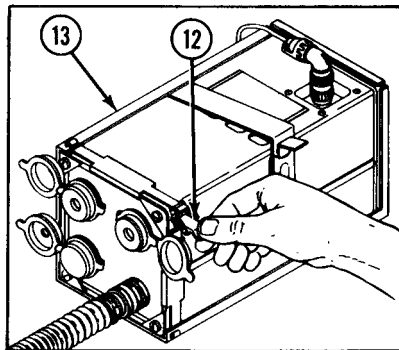


NOTES

If you have already done steps *k* thru *p*, go to step *r*.

●
If mounting bracket does not look like the one shown, refer to vehicle technical manual to open mounting bracket.

k. Release catch (12) on air purifier mounting bracket (13).

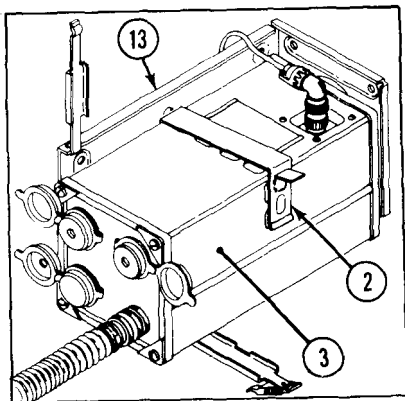


2-6. M8 Series GPFU Airflow Test. (cont)

WARNING

Be careful not to let air purifier fall from mounting bracket. You could injure yourself or damage equipment.

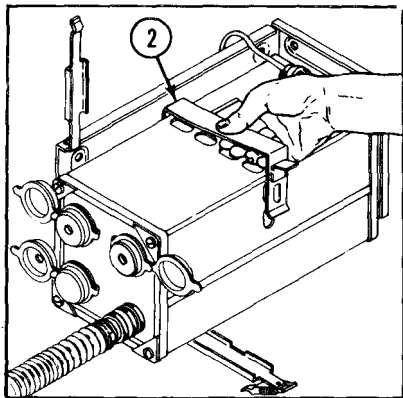
1. Move air purifier (3) far enough out of mounting bracket (13) to take off spring clip (2).



WARNING

Hold spring clip (2) firmly when removing it. Spring clip can snap off air purifier and injure you.

m. Remove spring clip (2).



2-6. M8 Series GPFU Airflow Test. (cont)

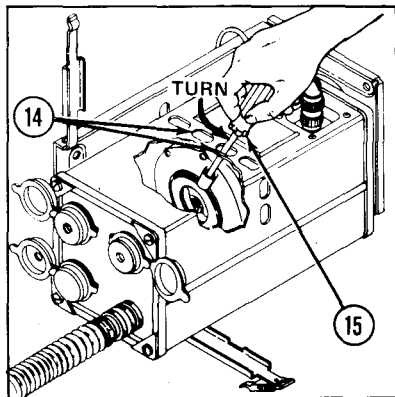
NOTE

Not all air purifiers have adjustable airflow regulators.

n. Look in center slots (14) of air purifier for an airflow regulator. If you see an airflow regulator, go to step *o*. If there is no airflow regulator go to step *r*.

o. Insert narrow, flat-tip screwdriver (15) through slot (14) and into adjustment mechanism.

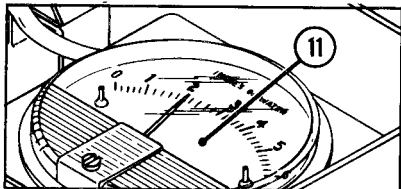
p. To fully open airflow regulator, turn screwdriver counterclockwise until you feel resistance or hear clicks.



NOTE

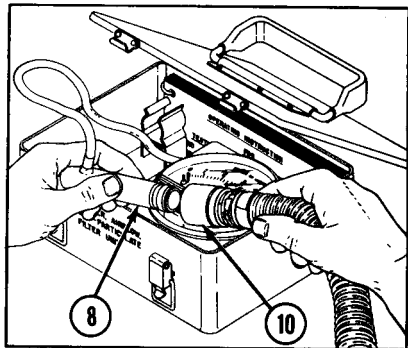
If you don't feel resistance or hear clicks after two full turns, airflow regulator is bad. Notify maintenance personnel after test.

q. Read pressure gage (11). Reading must be at least 2.0 in. of water (3.0 cfm). If pressure is less, note reading.



r. Disconnect orifice assembly (8) from quick-disconnect coupling (10).

s. Replace quick-disconnect coupling (10) in mounting clamp.

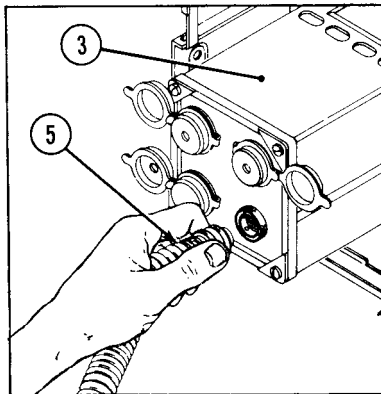


TM 3-6680-316-10

2-6. M8 Series GPFU Airflow Test. (cont)

t. Disconnect hose (5) from air purifier (3).

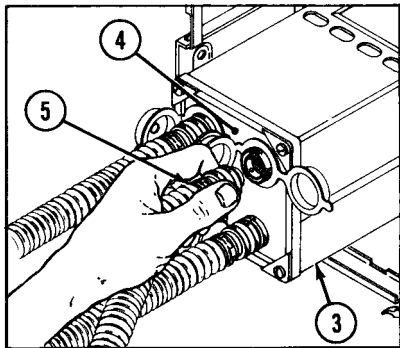
u. Connect another untested hose to air purifier. Repeat steps *h*, *i*, and *j* for each remaining untested hose.



NOTE

Four-socket manifold assembly (4) is shown.

- v. Reconnect all hoses (5) to air purifier (3) Put a solid airflow control cap on any remaining open socket.

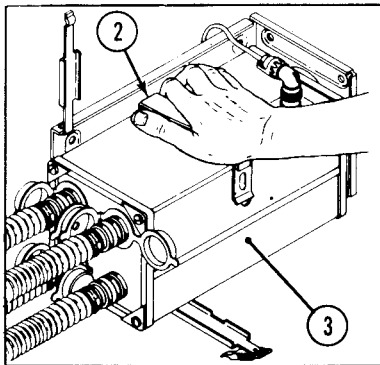


TM 3-6680-316-10

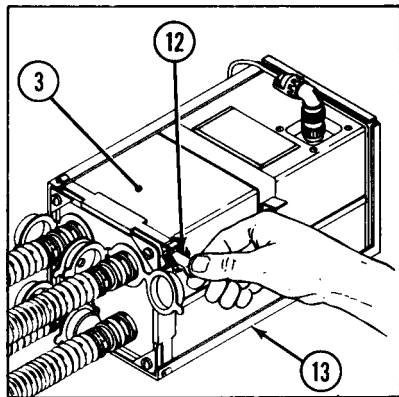
2-6. M8 Series GPFU Airflow Test. (cont)

w. Turn vehicle MASTER switch and GAS-PARTICULATE switch OFF.

x. Slide spring clip (2) over slotted openings of air purifier (3).



y. If air purifier (3) was pulled out, put air purifier back into mounting bracket (13) and fasten catch (12).



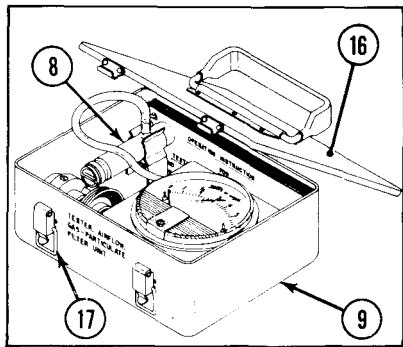
TM 3-6680-316-10

2-6. M8 Series GPFU Airflow Test. (cont)

z. Replace orifice assembly (8) in carrying case (9).

aa. Replace cover (16) on carrying case (9) and fasten four catches (17).

ab. If any readings you took were below 2.0 in. of water, notify maintenance personnel of a bad GPFU.



2-7. M13 Series GPFU Airflow Test.

NOTE

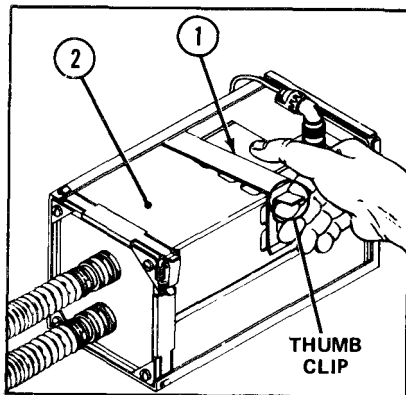
Refer to vehicle operator's manual for location of crew stations, switches, and GPFU.

- a. Perform preoperational checks and adjustment, para 2-3.

NOTE

Use thumb clip, if present, to lift spring clip (1) from precleaned (2).

- b. Lift spring clip (1).

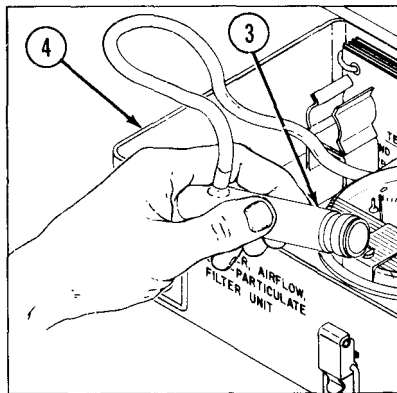


TM 3-6680-316-10

2-7. M13 Series GPFU Airflow Test. (cont)

Turn vehicle MASTER switch and GAS-PARTICULATE switch ON.

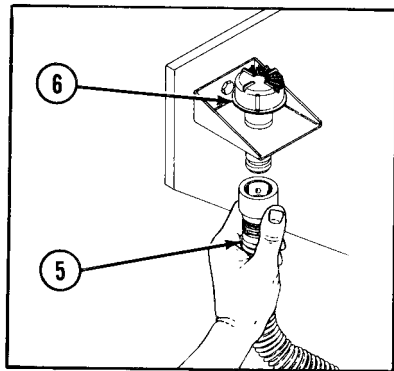
d. Remove orifice assembly (3) from carrying case (4).



NOTE

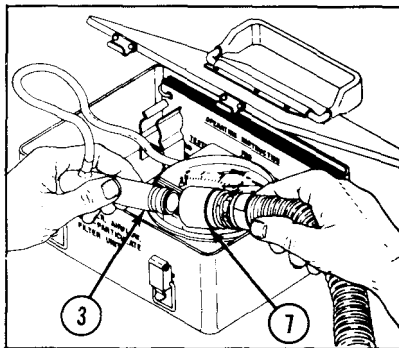
Test will be made at crew members' stations.

Full one crew member's hose (5) from orifice connector (6).

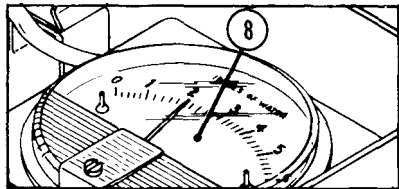


2-7. M13 Series GPFU Airflow Test (cont)

f. Insert grooved end of orifice assembly (3) into quick-disconnect coupling (7) of hose.



g. Read pressure gage (8). Reading must be at least 2.0 in. of water (3.0 cfm). If pressure is met, go to step o. If pressure is less, note reading and go to step h.

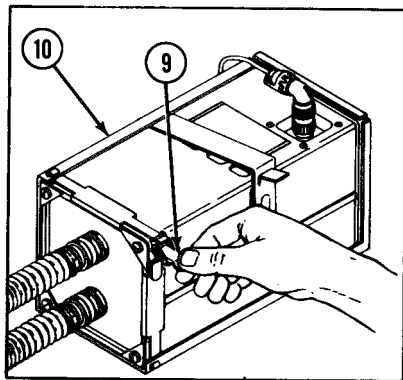


NOTES

If you have already done steps *h* thru *n*, go to step *o*.

If mounting bracket does not look like the one shown, refer to vehicle technical manual to open bracket.

h. Release catch (9) on precleaned mounting bracket (10).



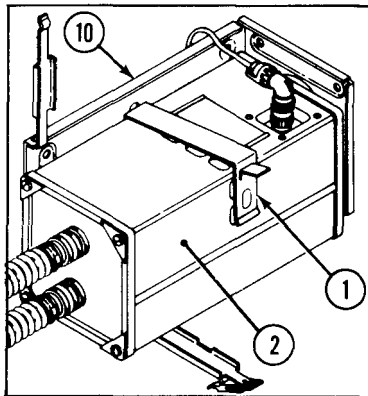
TM 3-6680-316-10

2-7. M13 Series GPFU Airflow Test. (cont)

WARNING

Be careful not to let precleaner fall from mounting bracket. You could injure yourself or damage equipment

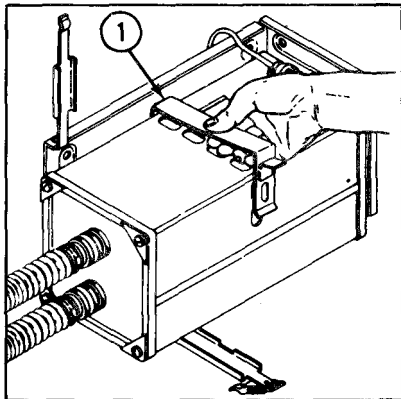
i. Move precleaner (2) far enough out of mounting bracket (10) to take off spring clip (1).



WARNING

Hold spring clip (1) firmly when removing it. Spring clip can snap off air purifier and injure you.

- j.* Remove spring clip (1).



2-7 M13 Series GPFU Airflow Test. (cont)

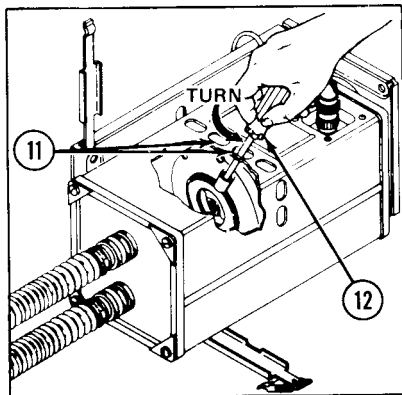
NOTE

Not all precleaners have adjustable airflow regulators.

k. Look in center slots (11) of precleaner for an airflow regulator. If you see an airflow regulator, go to step *l.* If there is no airflow regulator, go to step *o.*

l. Insert narrow, flat-tip screwdriver (12) through slot (11) and into adjustment mechanism.

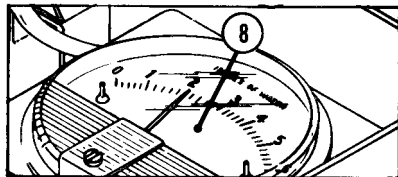
m. To fully open airflow regulator, turn screwdriver counterclockwise until you feel resistance or hear clicks.



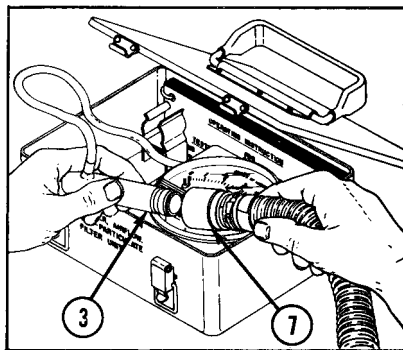
NOTE

If you don't feel resistance or hear clicks after two full turns, airflow regulator is bad. Notify maintenance personnel after test.

n. Read pressure gage (8). Reading must be at least 2.0 in. of water (3.0 cfm). If pressure is less, note reading.



o. Disconnect orifice assembly (3) from quick-disconnect coupling (7).

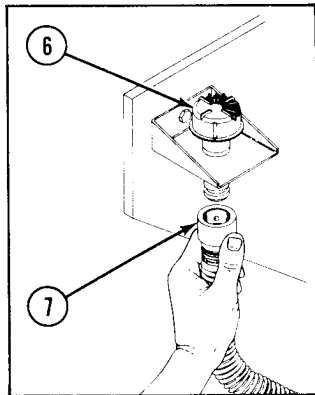


TM 3-6680-316-10

2-7. M13 Series GPFU Airflow Test. (cont)

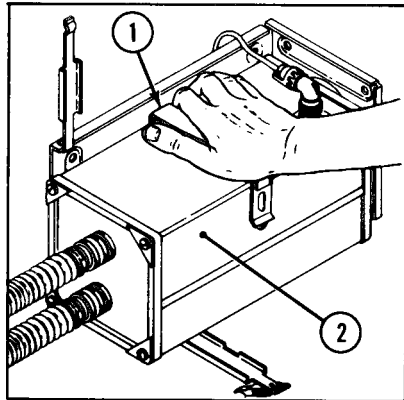
p. Reconnect hose quick-disconnect coupling (7) to orifice connector (6).

q. Repeat steps *e*, *f*, and *g* for remaining untested crew members' hoses.



r. Turn vehicle MASTER switch and GAS-PARTICULATE switch OFF.

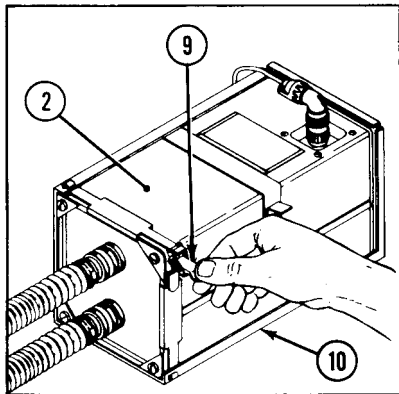
s. Slide spring clip (1) over slotted openings of precleaner (2).



TM 3-6680-316-10

2-7. M13 Series GPFU Airflow Test. (cont)

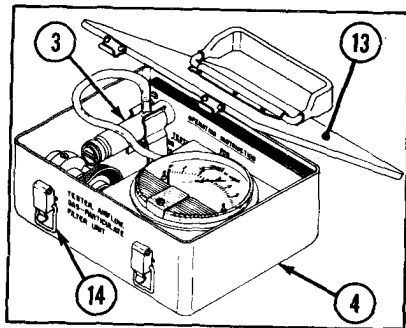
t. If precleaner (2) was pulled out, put precleaner back into mounting bracket (10) and fasten catch (9).



u. Replace orifice assembly (3) in carrying case (4).

v. Replace cover (13) on carrying case (4) and fasten four catches (14).

w. If any readings you took were below 2.0 in. of water (3.0 cfm), notify maintenance personnel of a bad GPFU.



TM 3-6680-316-10

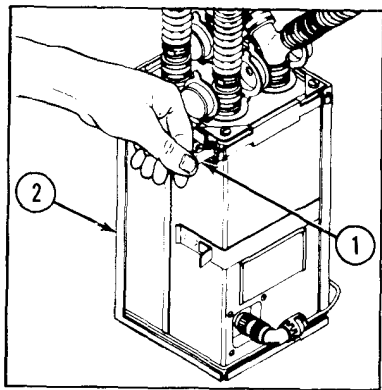
2-8. M14 GPFU Airflow Test.

NOTE

Refer to vehicle operator's manual for location of crew stations, switches, and GPFU.

a. Perform preoperational check and adjustment, para 2-3.

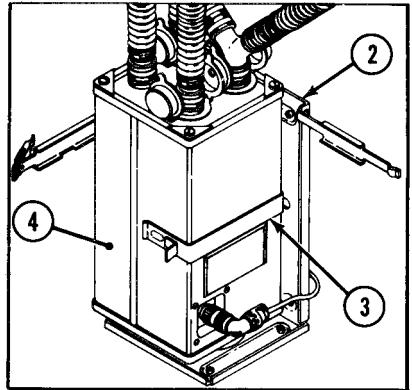
b. Release catch (1) on air purifier mounting bracket (2).



WARNING

Be careful not to let air purifier fall from mounting bracket. You could injure yourself or damage equipment.

c. Remove spring clip (3) by moving air purifier (4) far enough out of mounting bracket (2).



TM 3-6680-316-10

2-8. M14 GPFU Airflow Test. (cont)

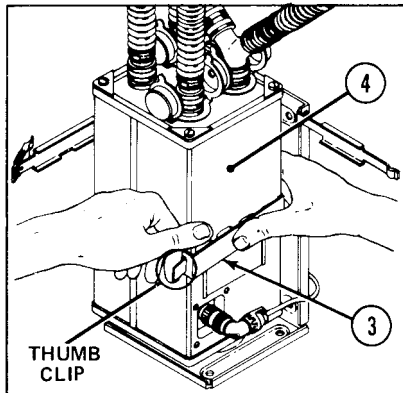
WARNING

Hold spring clip (3) firmly when removing it. Spring clip can snap off air purifier and injure you.

NOTE

Use thumb clip, if present, to lift spring clip (3) from air purifier (4).

d. Remove spring clip (3).

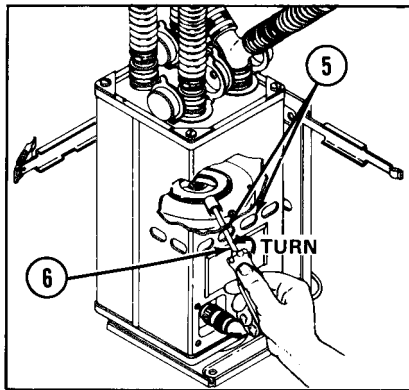


NOTE

Not all air purifiers have adjustable airflow regulators.

e. Look in center slots (5) of air purifier for an airflow regulator. If you see an airflow regulator, go to step *f*. If there is no airflow regulator, go to step *h*.

f. Insert narrow, flat-tip screwdriver (6) through slot (5) and into adjustment mechanism.



TM 3-6680-316-10

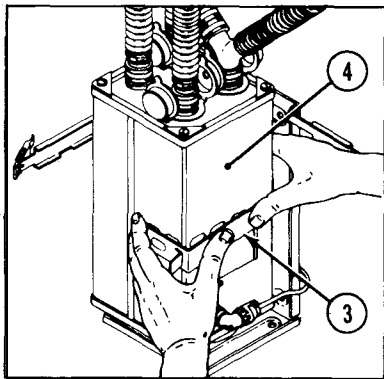
2-8. M14 GPFU Airflow Test. (cont)

g. To fully open airflow regulator, turn screwdriver counterclockwise until you feel resistance or hear clicks.

NOTE

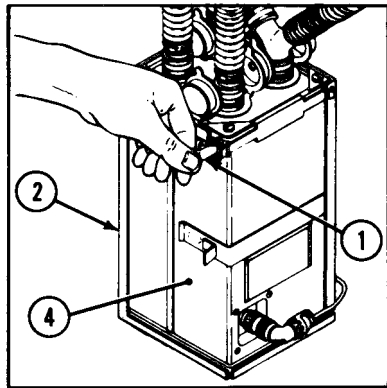
If you don't feel resistance or hear clicks after two full turns, airflow regulator is bad. Notify maintenance personnel after test.

h. Press spring clip (3) over slotted openings of air purifier (4).



i. Put air purifier (4) back into mounting bracket (2).

j. Fasten catch (1) on mounting bracket (2).



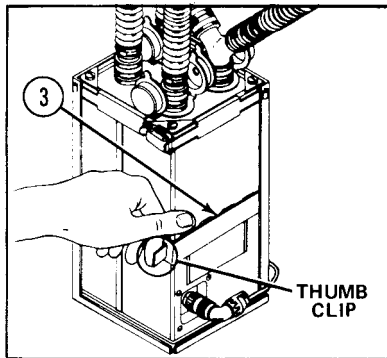
TM 3-6680-316-10

2-8. M14 GPFU Airflow Test. (cont)

NOTE

Use thumb clip, if present, to lift spring clip (3) on air purifier.

k. Lift spring clip (3).

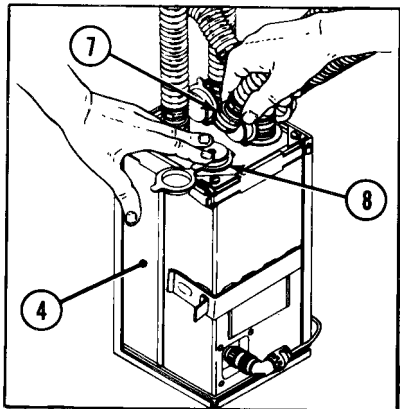


NOTE

Hoses have quick-disconnect couplings.
Full collar straight back to disconnect.

l. Disconnect driver's hose (7) from air purifier (4).

m. Cover driver's hose socket with airflow control cap (8) having canter hole.

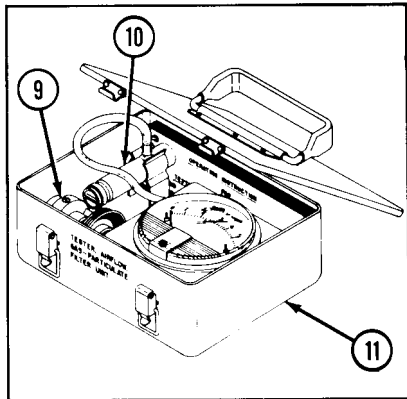


TM 3-6680-316-10

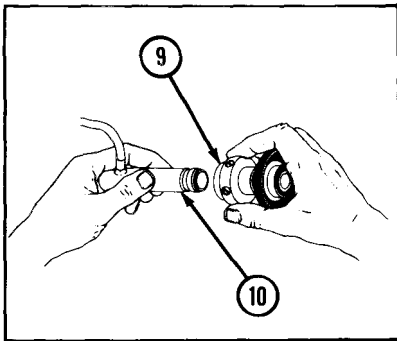
2-8. M14 GPFU Airflow Test. (cont)

n. Turn vehicle MASTER switch and AIR PURRIFIER switch ON.

o. Remove adapter (9) and orifice assembly (10) from carrying case (11).



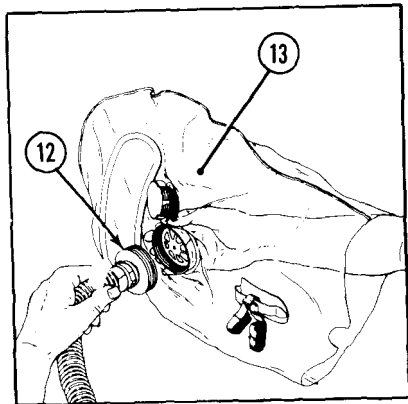
p. Insert grooved end of orifice assembly (10) into quick-disconnect end of adapter (9).



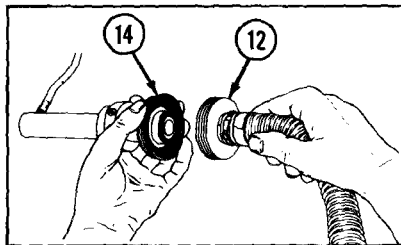
TM 3-6680-316-10

2-8. M14 GPFU Airflow Test. (cont)

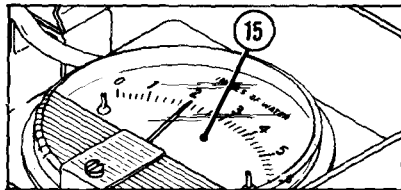
a. Unscrew hose inlet adapter (12) from a headpiece (13).



r. Screw cap (14) onto hose inlet adapter (12). Hand tighten.



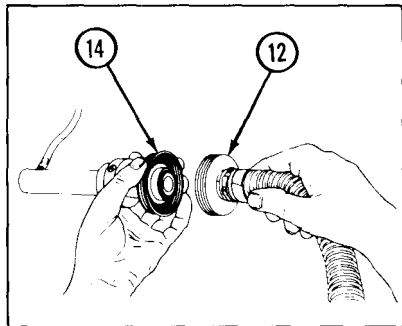
s. Read pressure gage (15). Reading must be at least 0.7 in. of water (1.75 cfm). If pressure is less, note reading.



TM 3-6680-316-10

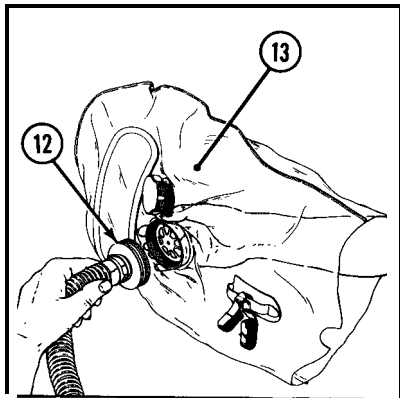
2-8. M14 GPFU Airflow Test. (cont)

f. Unscrew cap (14) from hose inlet adapter (12).



u. Reconnect hose inlet adapter (12) to headpiece (13).

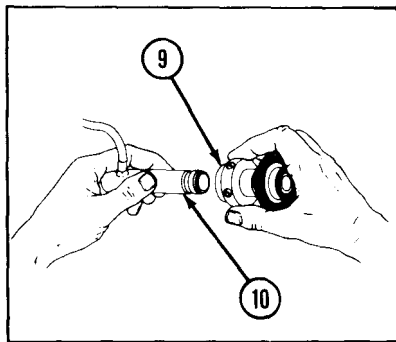
v. Repeat steps *q* thru *u* for remaining hoses connected to headpieces.



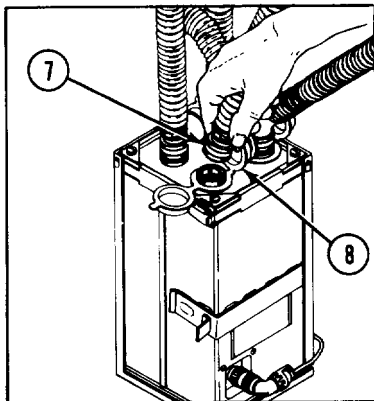
TM 3-6680-316-10

2-8. M14 GPFU Airflow Test. (cent)

w. Disconnect adapter (9) from orifice assembly (10) and lay adapter to one side.

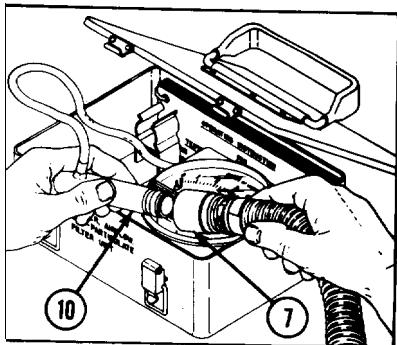


x. Remove airflow control cap (8) from socket in air purifier and reconnect driver's hose (7).

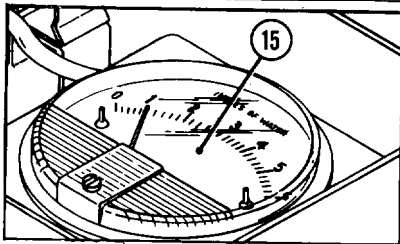


2.8. M14 GPFU Airflow Test. (cont)

y. Connect other end of driver's hose (7) to orifice assembly (10).

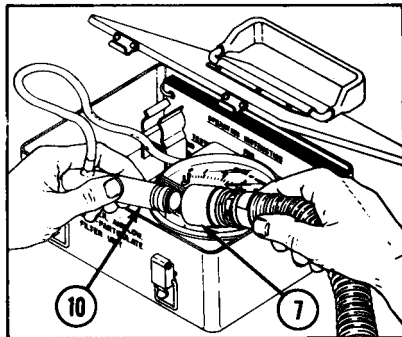


z. Read pressure gage (15). Reading must be at least 2.0 in. of water (3.0 cfm). If pressure is less, note reading.



aa. Disconnect orifice assembly (10) from driver's hose (7).

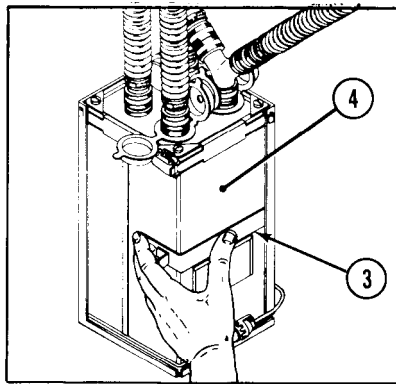
ab. Turn AIR PURIFIER switch and vehicle MASTER switch OFF.



TM 3-6680-316-10

2-8. M14 GPFU Airflow Test. (cont)

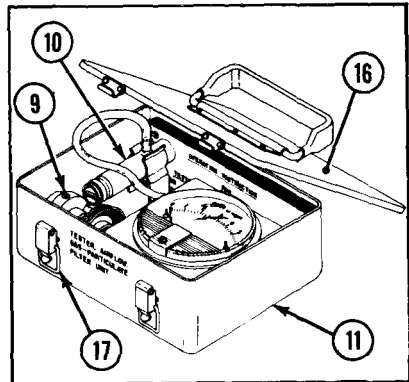
ac. Slide spring clip (3) over slotted openings in air purifier (4).



ad. Replace orifice assembly (10) and adapter (9) in carrying case (11).

ae. Replace cover (16) on carrying case (11) and fasten four catches (17).

af. If any readings you took were too low, notify maintenance personnel of a bad GPFU.



2-9. M2A1, M2A2 Air Purifier and M1A1-19 Precleaned Airflow Bench Tests.

To perform airflow bench tests on M2A1 and M2A2 air purifiers and M1A1-19 pre-cleaner, refer to TM 3-4240-276-30&P.

**APPENDIX A
REFERENCES**

A-1. Scope.

This appendix lists all forms, field manuals, and technical manuals referenced in this manual.

A-2. Forms.

Quality Deficiency Report SF 368
Recommended Changes to Publications and Blank Forms DA Form 2028

A-3. Field Manuals (FM).

First Aid for Soldiers FM 21-11

A-4. Technical Manuals (TM).

Direct Support Maintenance Manual Including Repair Parts and Special Tools List
for Purifier, Air: M2A1; Purifier, Air: M2A2; and Precleaned and Particulate Filter
Assembly: M1A1-19 TM 3-4240-276-30&P
The Army Maintenance Management System (TAMMS) TM 38-750

TM 3-6680-316-10 - TESTER, AIRFLOW, GAS-PARTICULATE FILTER UNIT: M39

By Order of the Secretary of the Army:

JOHN A. WICKHAM, JR.
General, United States Army
Chief of Staff

Official:

ROBERT M. JOYCE
Major General, United States Army
The Adjutant General

DISTRIBUTION:

To be distributed in accordance with DA Form 12-28, Operator's Maintenance requirements for Filter Units, Field; Filter Units, Vehicular, and Filter Units, Hospital

DID WE GOOF?
DO YOU KNOW A BETTER WAY?
DON'T KEEP THOSE GRIPEs TO YOURSELF.
WE'D LIKE TO HAVE YOUR IDEAS.

USE DA FORM
2028 OR WHATEVER
YOU HAVE HANDY.

RECOMMENDED CHANGES TO EQUIPMENT TECHNICAL MANUALS

SOMETHING WRONG WITH THIS MANUAL!

FORM - YOUR UNIT'S COMBAT & A ADDRESS

THEN GOT DOWN THE DOPE ABOUT IT ON THIS FORM! PUT IT IN T FOLD IT AND DROP IT IN THE MAIL.

PAGE NO.	PAGE NO.	PAGE NO.	PAGE NO.	IN THIS SPACE TELL WHAT IS WRONG

WRITE TO US:

COMMANDER
US ARMY ARMAMENT MATERIEL READINESS COMMAND
ATTN: DR SAR-MAS-C
ABERDEEN PROVING GROUND, MD 21010

RECOMMENDED CHANGES TO EQUIPMENT TECHNICAL PUBLICATIONS



THEN...JOT DOWN THE
DOPE ABOUT IT ON THIS FORM.
CAREFULLY TEAR IT OUT, FOLD IT
AND DROP IT IN THE MAIL.

SOMETHING WRONG WITH PUBLICATION

FROM: (PRINT YOUR UNIT'S COMPLETE ADDRESS)

DATE SENT

PUBLICATION NUMBER

PUBLICATION DATE

PUBLICATION TITLE

BE EXACT PIN-POINT WHERE IT IS

PAGE
NO.

PARA-
GRAPH

FIGURE
NO.

TABLE
NO.

IN THIS SPACE, TELL WHAT IS WRONG
AND WHAT SHOULD BE DONE ABOUT IT.

TEAR ALONG PERFORATED LINE

PRINTED NAME, GRADE OR TITLE AND TELEPHONE NUMBER

SIGN HERE

THE METRIC SYSTEM AND EQUIVALENTS

WEIGHT MEASURE

1 Centimeter = 10 Millimeters = 0.01 Meters = 0.3937 Inches
 1 Meter = 100 Centimeters = 1000 Millimeters = 39.37 Inches
 1 Kilometer = 1000 Meters = 0.621 Miles

WEIGHTS

1 Gram = 0.001 Kilograms = 1000 Milligrams = 0.035 Ounces
 1 Kilogram = 1000 Grams = 2.2 lb.
 1 Metric Ton = 1000 Kilograms = 1 Megagram = 1.1 Short Tons

LIQUID MEASURE

1 Milliliter = 0.001 Liters = 0.0338 Fluid Ounces
 1 Liter = 1000 Milliliters = 33.82 Fluid Ounces

SQUARE MEASURE

1 Sq. Centimeter = 100 Sq. Millimeters = 0.155 Sq. Inches
 1 Sq. Meter = 10,000 Sq. Centimeters = 10.76 Sq. Feet
 1 Sq. Kilometer = 1,000,000 Sq. Meters = 0.386 Sq. Miles

CUBIC MEASURE

1 Cu. Centimeter = 1000 Cu. Millimeters = 0.06 Cu. Inches
 1 Cu. Meter = 1,000,000 Cu. Centimeters = 35.31 Cu. Feet

TEMPERATURE

$5/9(^{\circ}\text{F} - 32) = ^{\circ}\text{C}$
 212° Fahrenheit is equivalent to 100° Celsius
 90° Fahrenheit is equivalent to 32.2° Celsius
 32° Fahrenheit is equivalent to 0° Celsius
 $9/5^{\circ}\text{C} + 32 = ^{\circ}\text{F}$

APPROXIMATE CONVERSION FACTORS

TO CHANGE	TO	MULTIPLY BY
Inches	Centimeters	2.540
Feet	Meters	0.305
Yards	Meters	0.914
Miles	Kilometers	1.609
Square Inches	Square Centimeters	6.451
Square Feet	Square Meters	0.093
Square Yards	Square Meters	0.836
Square Miles	Square Kilometers	2.590
Acres	Square Hectometers	0.405
Cubic Feet	Cubic Meters	0.028
Cubic Yards	Cubic Meters	0.765
Fluid Ounces	Milliliters	29.573
its	Liters	0.473
arts	Liters	0.946
allons	Liters	3.785
Ounces	Grams	28.349
Pounds	Kilograms	0.454
Short Tons	Metric Tons	0.907
Pound-Feet	Newton-Meters	1.356
Pounds per Square Inch	Kilopascals	6.895
Miles per Gallon	Kilometers per Liter	0.425
Miles per Hour	Kilometers per Hour	1.609

TO CHANGE	TO	MULTIPLY BY
Centimeters	Inches	0.394
Meters	Feet	3.280
Meters	Yards	1.094
Kilometers	Miles	0.621
Square Centimeters	Square Inches	0.155
Square Meters	Square Feet	10.764
Square Meters	Square Yards	1.196
Square Kilometers	Square Miles	0.386
Square Hectometers	Acres	2.471
Cubic Meters	Cubic Feet	35.315
Cubic Meters	Cubic Yards	1.308
Milliliters	Fluid Ounces	0.034
Liters	Pints	2.113
Liters	Quarts	1.057
ers	Gallons	0.264
ms	Ounces	0.035
ograms	Pounds	2.205
Metric Tons	Short Tons	1.102
Newton-Meters	Pounds-Feet	0.738
Kilopascals	Pounds per Square Inch	0.145
ometers per Liter	Miles per Gallon	2.354
ometers per Hour	Miles per Hour	0.621



PIN: 054210-000